

4" 95 PR12 95 PRX12 95 PRG12



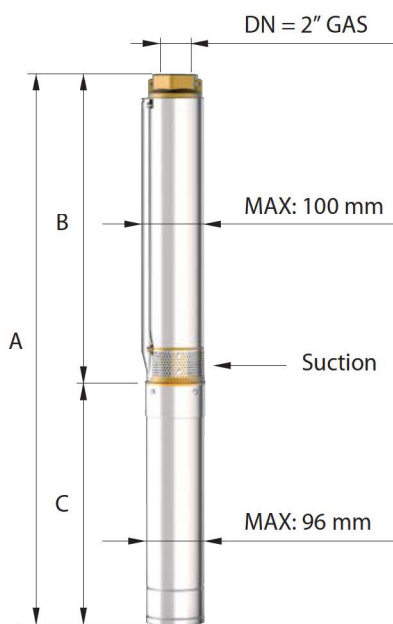
CARATTERISTICHE IDRAULICHE - HYDRAULIC PERFORMANCES

Q= Portata - Capacity - Debit **50 Hz n= 2900 min**

Tipo Type	Power		V230 Single Phase		V400 Three Phase A	H(m)	0	150	175	200	225	250	275	300	
	kW	HP	A	µF			l/min	l/sec	l/min	l/min	l/min	l/min	l/min	l/min	l/min
							m ³ /h	0	2,50	2,92	3,33	3,75	4,17	4,58	5
95 PR12 N/04	1,1	1,5	9,4	40	3	28	22	20	17	15	12	8	4		
95 PR12 N/05	1,5	2	11,5	50	4	35	28	26	22	18	15	10	5		
95 PR12 N/07	2,2	3	14,7	75	5,7	49	39	36	30	26	21	14	7		
95 PR12 N/10	3	4	-	-	7,4	70	56	51	43	37	29	20	9		
95 PR12 N/13	4	5,5	-	-	10	91	72	66	56	48	38	26	12		
95 PR12 N/18	5,5	7,5	-	-	13,5	126	100	92	78	66	53	36	17		
95 PR12 N/24	7,5	10	-	-	18	168	133	123	104	88	71	48	23		

DIMENSIONI D'INGOMBRO E PESI - OVERALL DIMENSIONS AND WEIGHTS

Type	A mm Single Phase V 230	A mm Three Phase V 400	B mm	C mm Single Phase V 230	C mm Three Phase V 400	M Kg Single Phase	M Kg Three Phase	P Kg
95 PR12 N/04	766	736	374	392	362	12	12	4
95 PR12 N/05	837	807	415	422	392	13	13	4
95 PR12 N/07	964	949	497	467	452	15	15	5
95 PR12 N/10	-	1177	620	-	557	-	19	6
95 PR12 N/13	-	1340	743	-	597	-	22	7
95 PR12 N/18	-	1646	948	-	698	-	27	9
95 PR12 N/24	-	2012	1194	-	818	-	32	12



Versioni disponibili
Available versions
Versions disponibles
Versiones disponibles



95 PR
Gabbia di aspirazione e mandata in ottone
Suction cage and delivery bowl in brass



95 PRX
Gabbia di aspirazione e mandata in AISI 304 microfuso
Suction cage and delivery bowl in AISI 304 casted



95 PRG
Gabbia di aspirazione e mandata in ghisa con trattamento di cataforesi
Suction cage and delivery bowl in cast iron with CED (Cathode Electro Deposition)

n% = Rendimento della pompa
n% = Rendement de la pompe
n% = Pump efficiency
n% = Rendimiento de la bomba

Max 57%

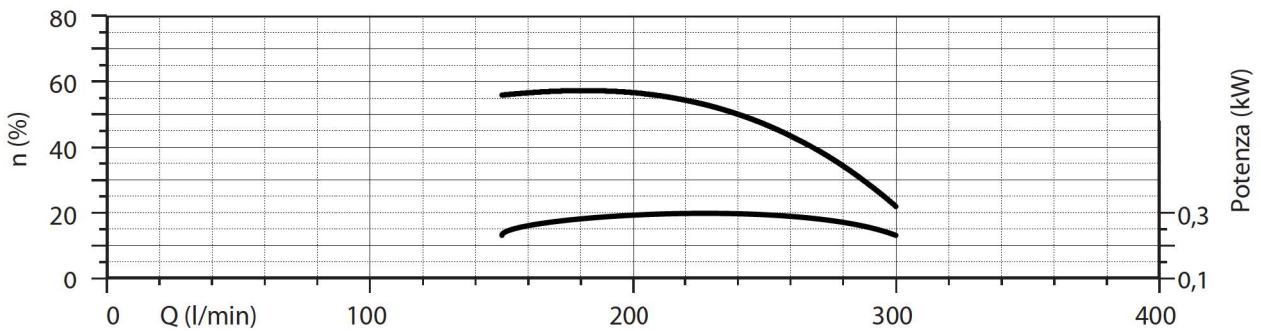
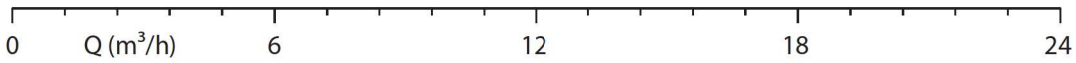
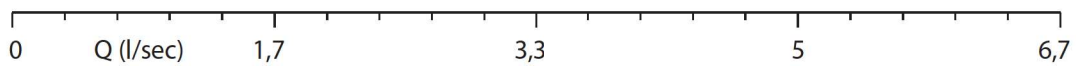
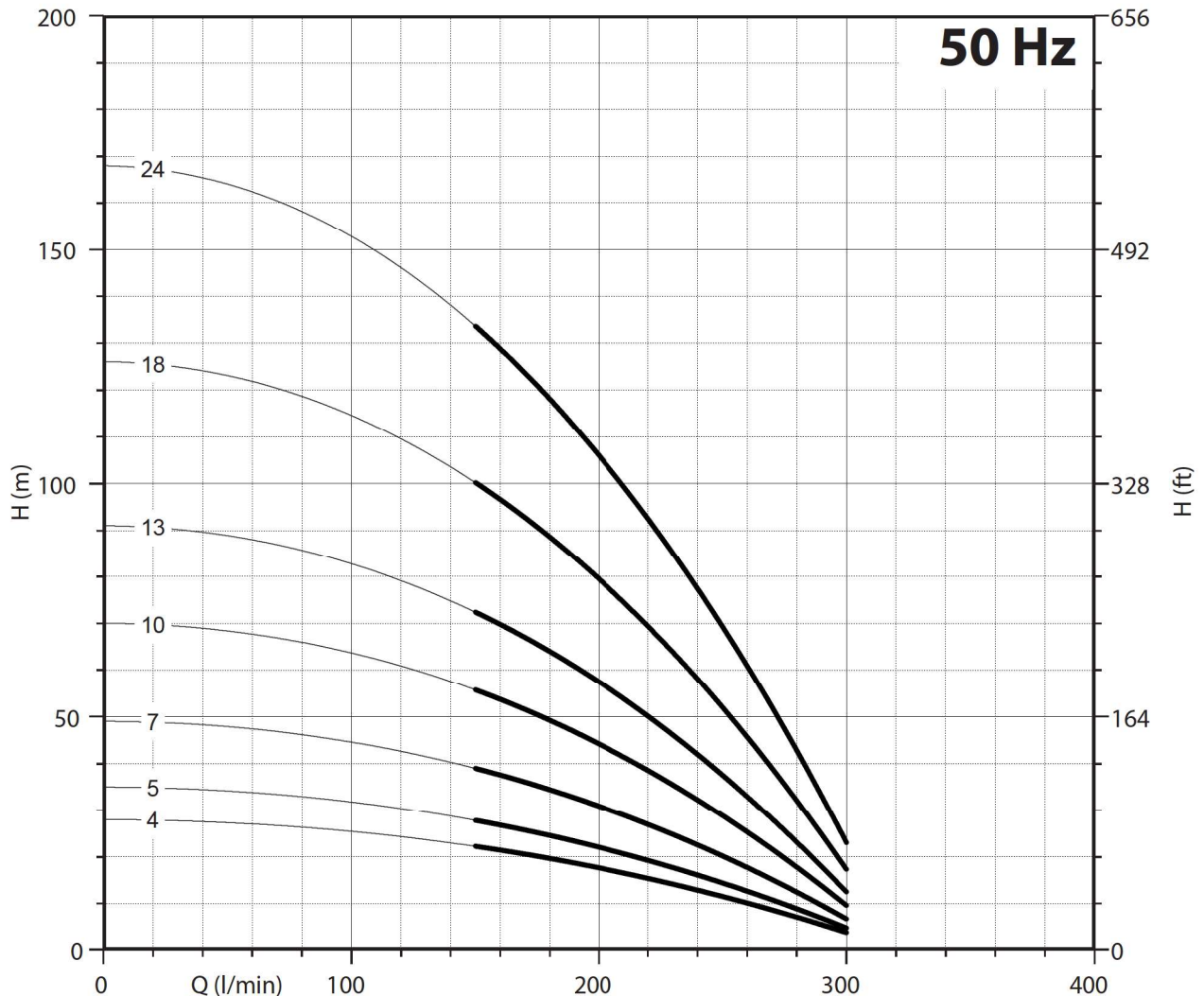
kW/st = Assorbimento per stadio
kW/st = Absorption par étage
kW/st = Stage absorption
kW/st = Potencia absorbida por etapa

Max 0,308

Tolleranze secondo UNI ISO 9906 livello 3B - Tolerances according to UNI ISO 9906 grade 3B



4" 95 PR12
95 PRX12
95 PRG12



NPSH (m)			25%	50%	75%	100%
95 PR 12	95 PRX 12	95 PRG 12	2,2	2,2	3	4,8