

# 4" 95 PR2 95 PRX2 95 PRG2



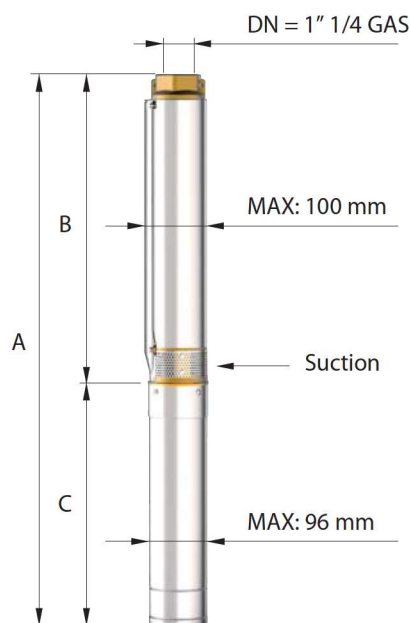
## CARATTERISTICHE IDRAULICHE - HYDRAULIC PERFORMANCES

Q= Portata - Capacity - Debit **50 Hz n= 2900 min**

Tipo Type	Power		V230 Single Phase		V400 Three Phase A	H(m)	0	20	30	40	50	60
	kW	HP	A	µF			l/min	l/sec	m <sup>3</sup> /h			
							0	0,33	0,50	0,67	0,83	1
95 PR2 N/07	0,37	0,5	3,5	16	-	46	40	36	31	24	15	
95 PR2 N/10	0,55	0,75	4,9	20	1,7	66	57	52	44	35	22	
95 PR2 N/14	0,75	1	6,5	30	2,2	92	80	73	62	49	31	
95 PR2 N/21	1,1	1,5	9,4	40	3	138	120	109	93	73	46	
95 PR2 N/28	1,5	2	11,5	50	4	184	160	145	124	97	61	
95 PR2 N/41	2,2	3	14,7	75	5,7	269	234	213	182	143	90	
95 PR2 N/56	3	4	-	-	7,4	368	320	291	248	195	123	
95 PR2 N/70	4	5,5	-	-	10	460	400	363	310	243	153	

## DIMENSIONI D'INGOMBRO E PESI - OVERALL DIMENSIONS AND WEIGHTS

Type	A mm Single Phase V230	A mm Three Phase V400	B mm	C mm Single Phase V230	C mm Three Phase V400	M Kg Single Phase	M Kg Three Phase	P Kg
95 PR2 N/07	681	-	364	317	-	7	-	4
95 PR2 N/10	767	747	430	337	317	8	8	5
95 PR2 N/14	880	855	518	362	337	10	10	6
95 PR2 N/21	1064	1034	672	392	362	12	12	7
95 PR2 N/28	1248	1218	826	422	392	13	13	9
95 PR2 N/41	1579	1564	1112	467	452	15	15	12
95 PR2 N/56	-	1999	1442	-	557	-	19	16
95 PR2 N/70	-	2347	1750	-	597	-	22	20



**Versioni disponibili**  
Available versions  
Versions disponibles  
Versiones disponibles



**95 PR**  
Gabbia di aspirazione e mandata in ottone  
  
Suction cage and delivery bowl in brass



**95 PRX**  
Gabbia di aspirazione e mandata in AISI 304 microfuso  
  
Suction cage and delivery bowl in AISI 304 casted



**95 PRG**  
Gabbia di aspirazione e mandata in ghisa con trattamento di cataforesi  
  
Suction cage and delivery bowl in cast iron with CED (Cathode Electro Deposition)

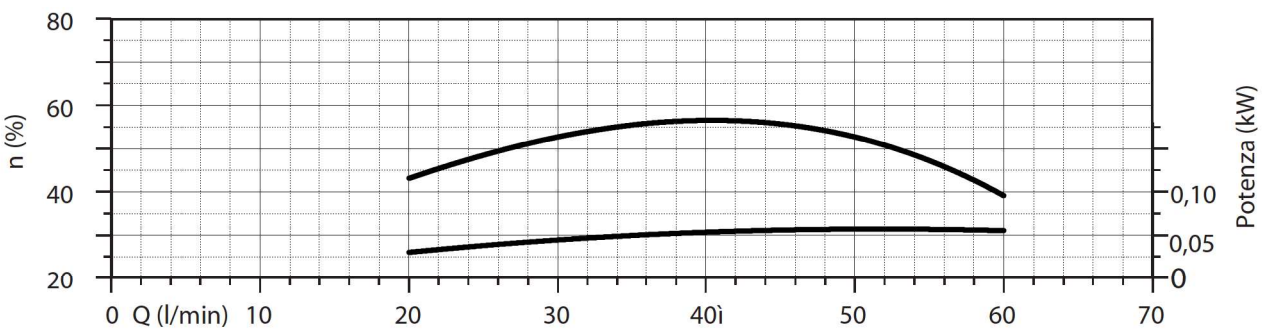
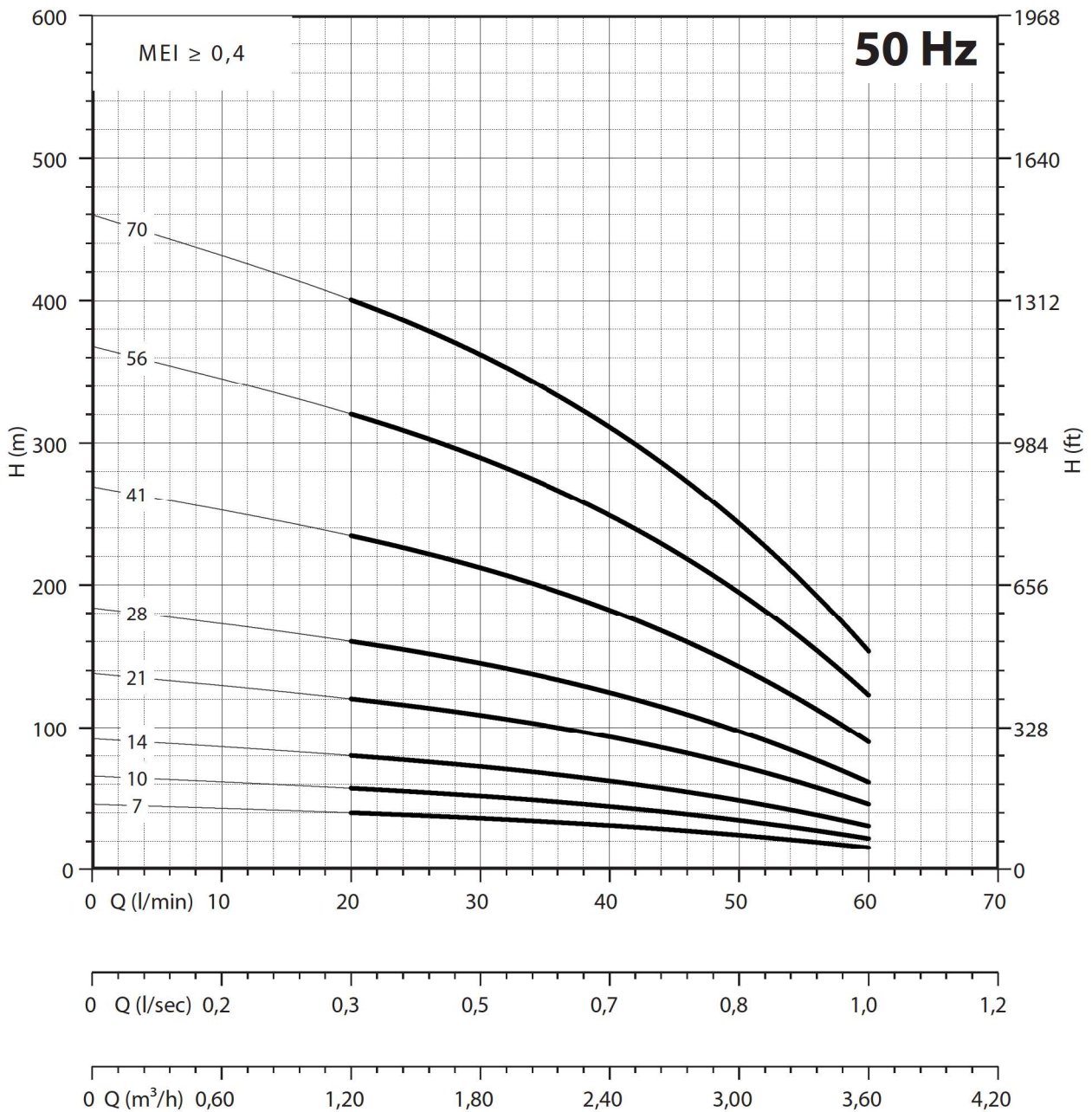
n% = Rendimento della pompa  
n% = Rendement de la pompe  
n% = Pump efficiency  
n% = Rendimiento de la bomba

**Max 56 %**

kW/st = Assorbimento per stadio  
kW/st = Absorption par étage  
kW/st = Stage absorption  
kW/st = Potencia absorbida por etapa

**Max 0,053**

Tolleranze secondo UNI ISO 9906 livello 3B - Tolerances according to UNI ISO 9906 grade 3B



NPSH (m)			25%	50%	75%	100%
95 PR 2	95 PRX 2	95 PRG 2	2	2	2,5	3,2