

# 4" 95 PR8 95 PRX8 95 PRG8



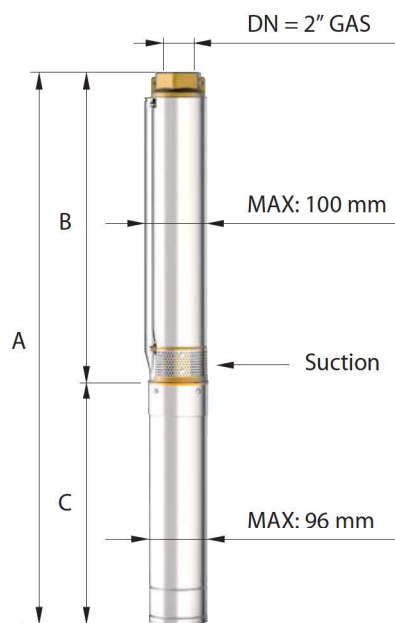
## CARATTERISTICHE IDRAULICHE - HYDRAULIC PERFORMANCES

Q= Portata - Capacity - Debit **50 Hz n= 2900 min**

Tipo Type	Power		V230 Single Phase		V400 Three Phase A	l/min	0	80	100	120	140	160	180	200	
	kW	HP	A	µF											l/sec
95 PR8 N/04	0,75	1	6,5	30	2,2	H(m)	25	24	22	21	18	15	11	4	
95 PR8 N/07	1,1	1,5	9,4	40	3		44	41	39	36	32	27	19	8	
95 PR8 N/09	1,5	2	11,5	50	4		56	53	50	46	42	35	25	10	
95 PR8 N/13	2,2	3	14,7	75	5,7		81	77	72	67	60	50	36	14	
95 PR8 N/18	3	4	-	-	7,4		112	107	100	93	83	69	50	19	
95 PR8 N/24	4	5,5	-	-	10		150	142	133	124	111	92	66	26	
95 PR8 N/31	5,5	7,5	-	-	13,5		193	184	172	160	143	119	86	33	
95 PR8 N/42	7,5	10	-	-	18		262	249	233	216	194	162	116	45	

## DIMENSIONI D'INGOMBRO E PESI - OVERALL DIMENSIONS AND WEIGHTS

Type	A mm Single Phase V 230	A mm Three Phase V 400	B mm	C mm Single Phase V 230	C mm Three Phase V 400	M Kg Single Phase	M Kg Three Phase	P Kg
95 PR8 N/04	692	667	330	362	337	10	10	3
95 PR8 N/07	812	782	420	392	362	12	12	4
95 PR8 N/09	902	872	480	422	392	13	13	5
95 PR8 N/13	1067	1052	600	467	452	15	15	6
95 PR8 N/18	-	1307	750	-	557	-	19	8
95 PR8 N/24	-	1527	930	-	597	-	22	10
95 PR8 N/31	-	1838	1140	-	698	-	27	12
95 PR8 N/42	-	2288	1470	-	818	-	32	16



**Versioni disponibili**  
Available versions  
Versions disponibles  
Versiones disponibles



**95 PR**  
Gabbia di aspirazione e mandata in ottone

Suction cage and delivery bowl in brass



**95 PRX**  
Gabbia di aspirazione e mandata in AISI 304 microfuso

Suction cage and delivery bowl in AISI 304 casted



**95 PRG**  
Gabbia di aspirazione e mandata in ghisa con trattamento di cataforesi

Suction cage and delivery bowl in cast iron with CED (Cathode Electro Deposition)

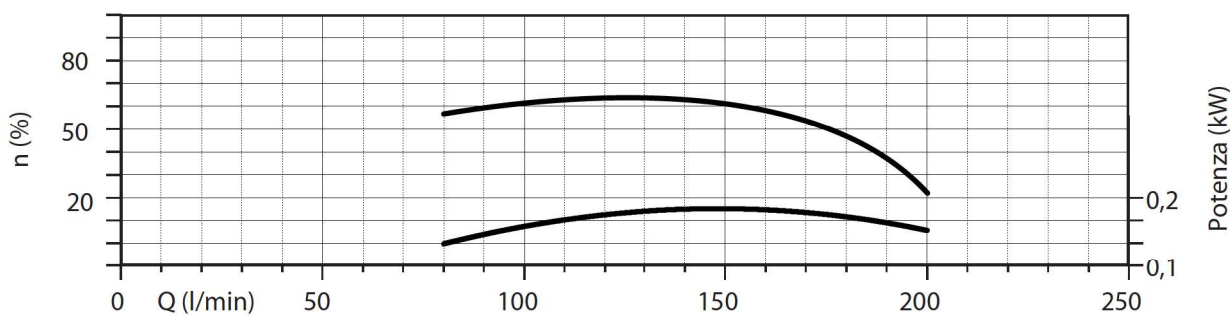
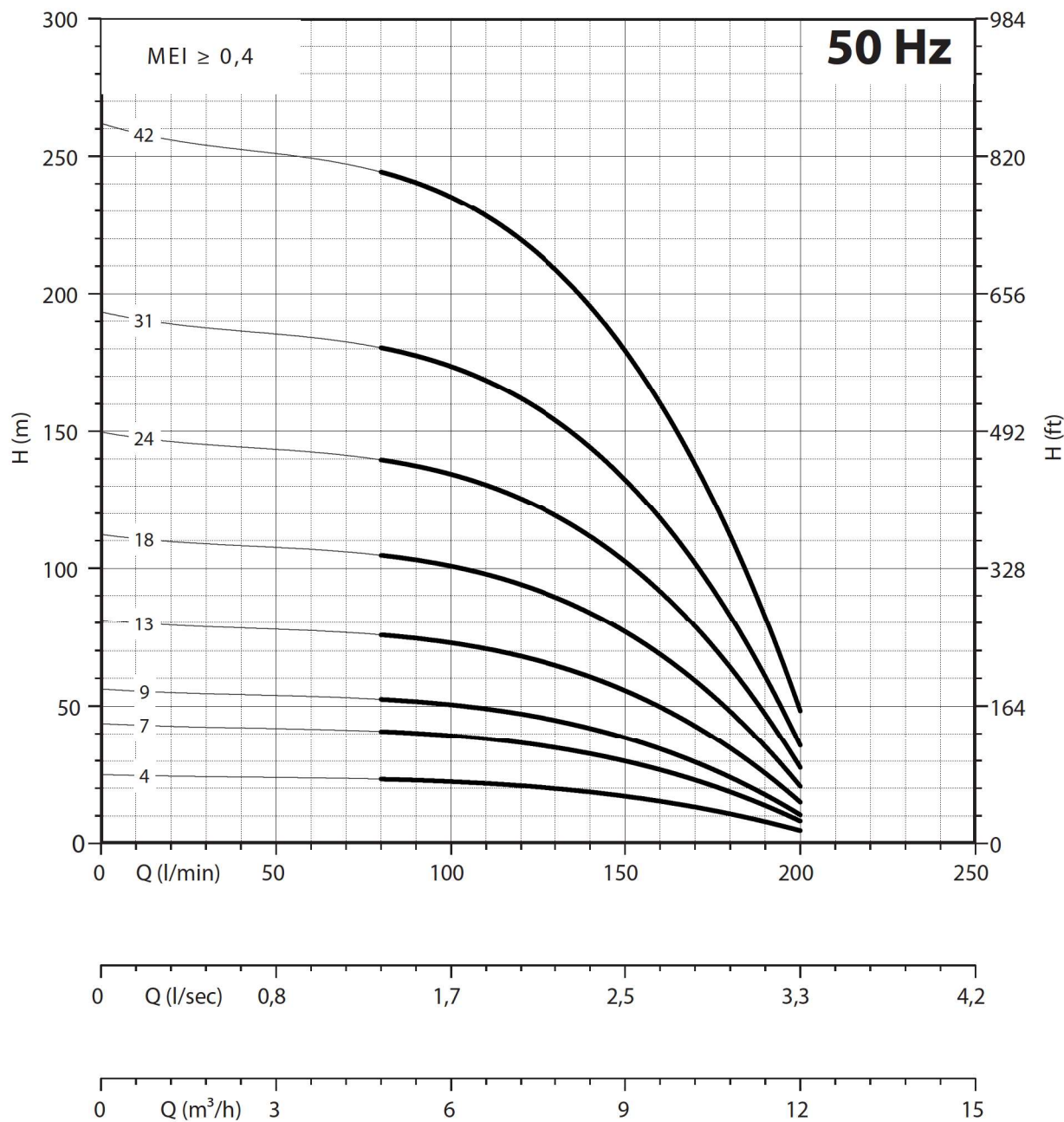
n% = Rendimento della pompa  
n% = Rendement de la pompe  
n% = Pump efficiency  
n% = Rendimiento de la bomba

**Max 64%**

kW/st = Assorbimento per stadio  
kW/st = Absorption par étage  
kW/st = Stage absorption  
kW/st = Potencia absorbida por etapa

**Max 0,165**

Tolleranze secondo UNI ISO 9906 livello 3B - Tolerances according to UNI ISO 9906 grade 3B



NPSH (m)			25%	50%	75%	100%
95 PR 8	95 PRX 8	95 PRG 8	2,2	2,2	3	4,8